

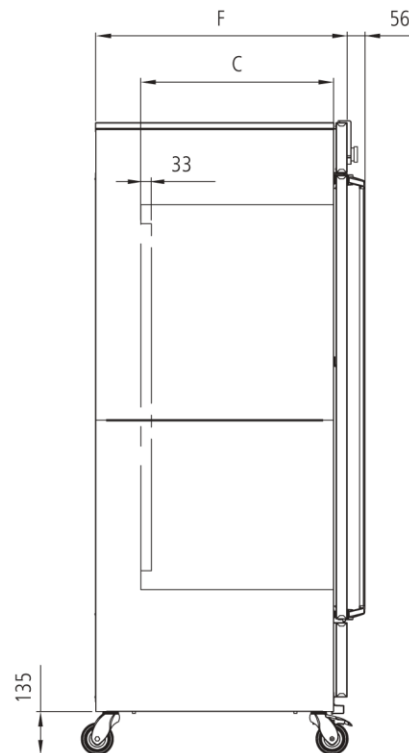
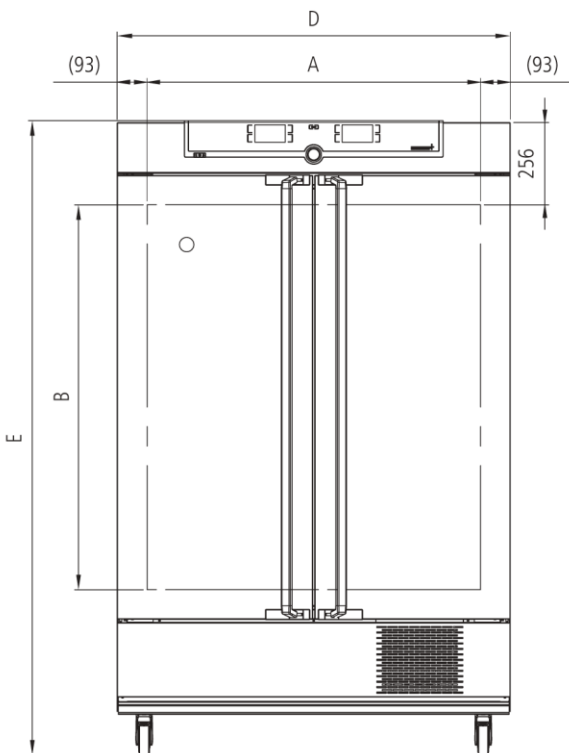


## Climate chamber ICH750

Unparalleled homogeneity of temperature and humidity! For stability testing according to ICH - WHO - EMA - ASEAN - GMP - GLP – GCCP.



On this page, you can find all the essential technical data on the Memmert climate chamber ICH. Our customer relations team will be pleased to help if you want further information.



## Control of standard components

<b>Control</b>	<b>COCKPIT</b>	adaptive multifunctional digital PID-microprocessor controller with 2 high-definition TFT-color displays
<b>Temperature</b>		2 Pt100 sensors Class A in 4-wire-circuit, mutually monitoring and taking over the performance at the same temperature value
<b>Timer</b>		Digital backwards counter with target time setting, adjustable from 1 minute to 99 days
<b>Humidity</b>		humidity supply with distilled water from external tank by self-priming pump
<b>Humidity</b>		active humidifying and de-humidifying adjustable from 10-80 % rh with digital display of relative humidity - resolution of display 0.1 %, setting accuracy 0.5 %
<b>Humidity</b>		humidity supply with distilled water from external tank by self-priming pump
<b>Humidity</b>		humidification by hot steam generator

## Temperature

		from -10°C up to +60°C without humidity
		from +10°C up to +60°C with humidity
<b>resolution of display for set point and actual temperature values</b>		0.1°C

## Control technology

<b>adjustable parameters</b>		temperature (Celsius or Fahrenheit), fan speed, relative humidity, program time, time zones, daylight savings time
<b>Calibration</b>		three freely selectable values each, temperature/humidity
<b>Function Setpoint</b>	<b>WAIT</b>	the process time does not start until the set temperature is reached
<b>Language setting</b>		German/English/Spanish/French

## Ventilation

<b>Fan</b>		forced air circulation in working chamber adjustable from 10 to 100 % in 10 % steps
------------	--	---

## Communication

<b>Programming</b>		AtmoCONTROL software on a USB stick for programming, managing and transferring programs via Ethernet interface or USB port
<b>Documentation</b>		program stored in case of power failure

## Safety

<b>Autodiagnostic system</b>		integral fault diagnostics for temperature and humidity control
<b>Alarm</b>		audible and visual
<b>Temperature control</b>		over- and undertemperature monitor TWW, protection class 3.3 or adjustable temperature limiter TWB, protection class 2, selectable on display
<b>AutoSAFETY</b>		additionally integrated over- and undertemperature protection "ASF", automatically following the set point value at a preset tolerance range, alarm in case of over- or undertemperature, heating is switched off in case of overtemperature, compressor in case of undertemperature
<b>Temperature control</b>		mechanical temperature limiter TB, protection class 1 according to DIN 12880 to switch off the heating approx. 10°C above nominal temperature

### Heating concept

no drying-up of the load caused by the cooling device due to separation of thermal jacket from interior

energy-saving use of CFC-free cooling/heating system (refrigerant R134a)

highly efficient automatic defrosting system

air jacket heating system for gentle all-around heating

### Standard equipment

**Door** fully insulated stainless steel doors with 2-point locking (compression door lock)

**Door** inner glass doors

**Housing** rear zinc-plated steel

**Installation** on lockable castors

**Internals** 2 stainless steel grids

### Stainless steel interior

$w_{(A)} \times h_{(B)} \times d_{(C)}$ : 40.9" x 47.2" x 23.6"

Volume 749 l

Max. loading of chamber: 441 lbs

### Textured stainless steel casing

$w_{(D)} \times h_{(E)} \times d_{(F)}$ : 48.2" x 76.8" x 32.8"

### Electrical data

230 V (+/- 10%), 50/60 Hz / approx. 5.9 amps

115 V (+/- 10%), 50/60 Hz / approx. 11.8 amps

### Packing/shipping data

the appliances must be transported upright

**Customs tariff number** 8419 8998

**Country of origin** Federal Republic of Germany

**WEEE-Reg.-No.** DE 66812464

Dimensions approx. incl. carton B x H x T: 52.4" x 84.6" x 41.3"

Net weight approx. 549 lbs

Gross weight carton approx. 704 lbs